

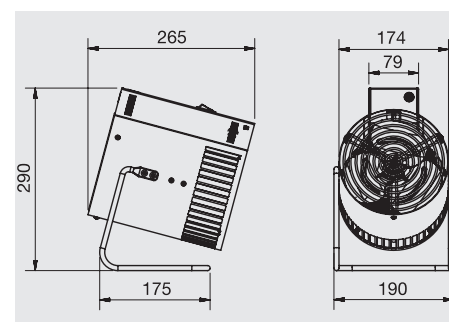
Portable air heater, that can also be used to warm a cold chimney, to improve draught, prior to starting a fire.

Characteristics

- IP20.
- Made of steel sheet with a paint coating.
- Quiet axial fan.
- Switch ON/OFF.
- Adjustable support feet.
- Rubber supports allowing to insert the FIRE FAN on the floor of a chimney.
- Thermal protection.

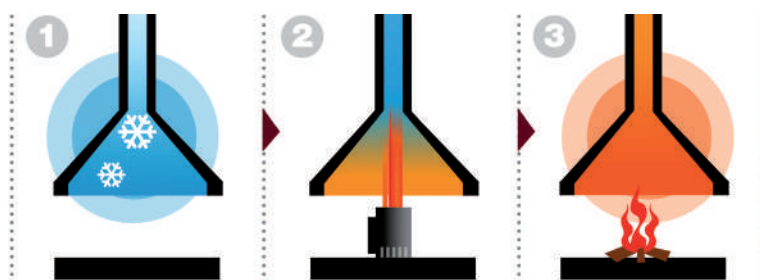


DIMENSIONS (mm)



Rubber supports allowing to insert the FIRE FAN on the floor of a chimney.

EASY WAY TO START A FIRE



Put it into the fireplace. Open the chimney damper.
 Turn it on for 15-30 min. After 15-30 min switch it off and remove it.
 Put in firewood, strike a match and set fire.

TECHNICAL CHARACTERISTICS

Model	Voltage 50 Hz (V)	Total power (W)	Heating power (W)	Maximum current (A)	Speed (rpm)	Maximum airflow (m ³ /h)	Sound pressure* dB(A)	Temperature rise (°C)	Protected against splashing water	Air speed in discharge (m/s)	Weight (kg)	Colour
FIRE FAN-P ON/OFF	230	2014	2000	8,51	2125	230	35	42	IP20	3,2	2,4	Black

* Sound pressure level at 1,5 meters, heater on the floor.